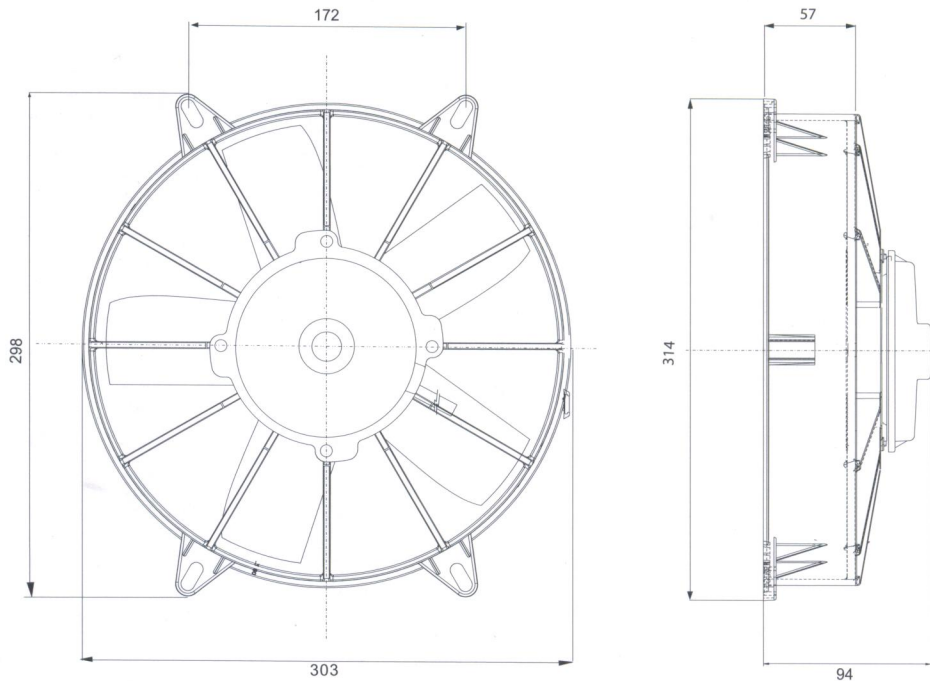




# ELECTRIC COOLING FAN



**JG-2011A- HD 12V**  
**JG-2011B- HD 24V**  
**( 11" COOLING FAN )**



## SPECIFICATIONS

MOTOR	MAX. CURRENT	MOTOR INPUT	SPEED	WEIGHT
JGW-0005A (12V) JGW-0005B (24V)	11.0 AMPS (12V) 5.5 AMPS (24V)	132 WATTS	2900 RPM	2350 GMS
LIFE	RATING	SHROUD	ROTOR	AIRFLOW
6500 HRS @80°C	CONTINUOUS REVERSIBLE	GLASSFILLED POLYPROPYLENE	REVERSIBLE GLASS FILLED NYLON	588 LITRES/SEC (1245CFM)@ 0 PASCALS FAN INLET PRESSURE