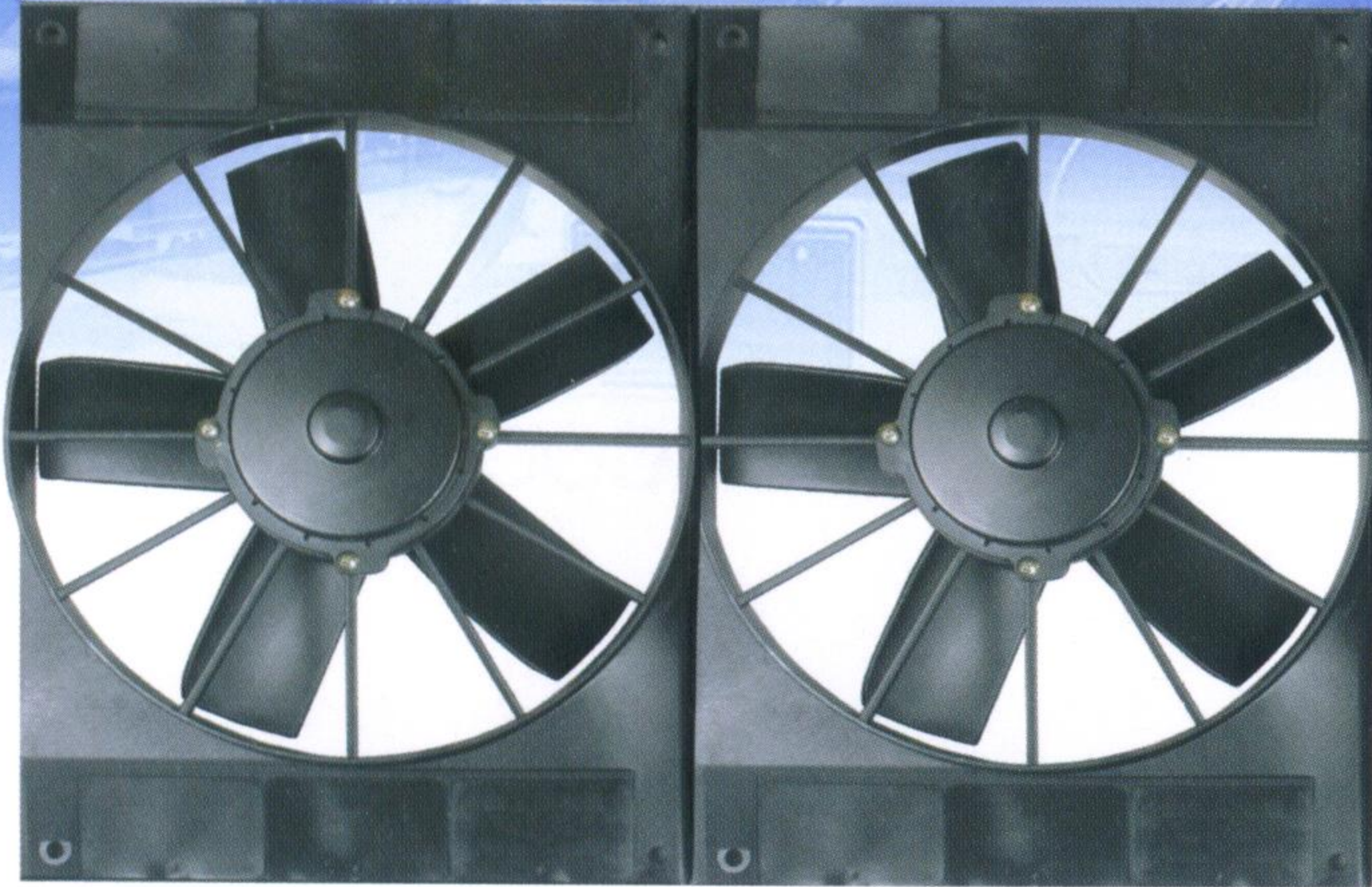




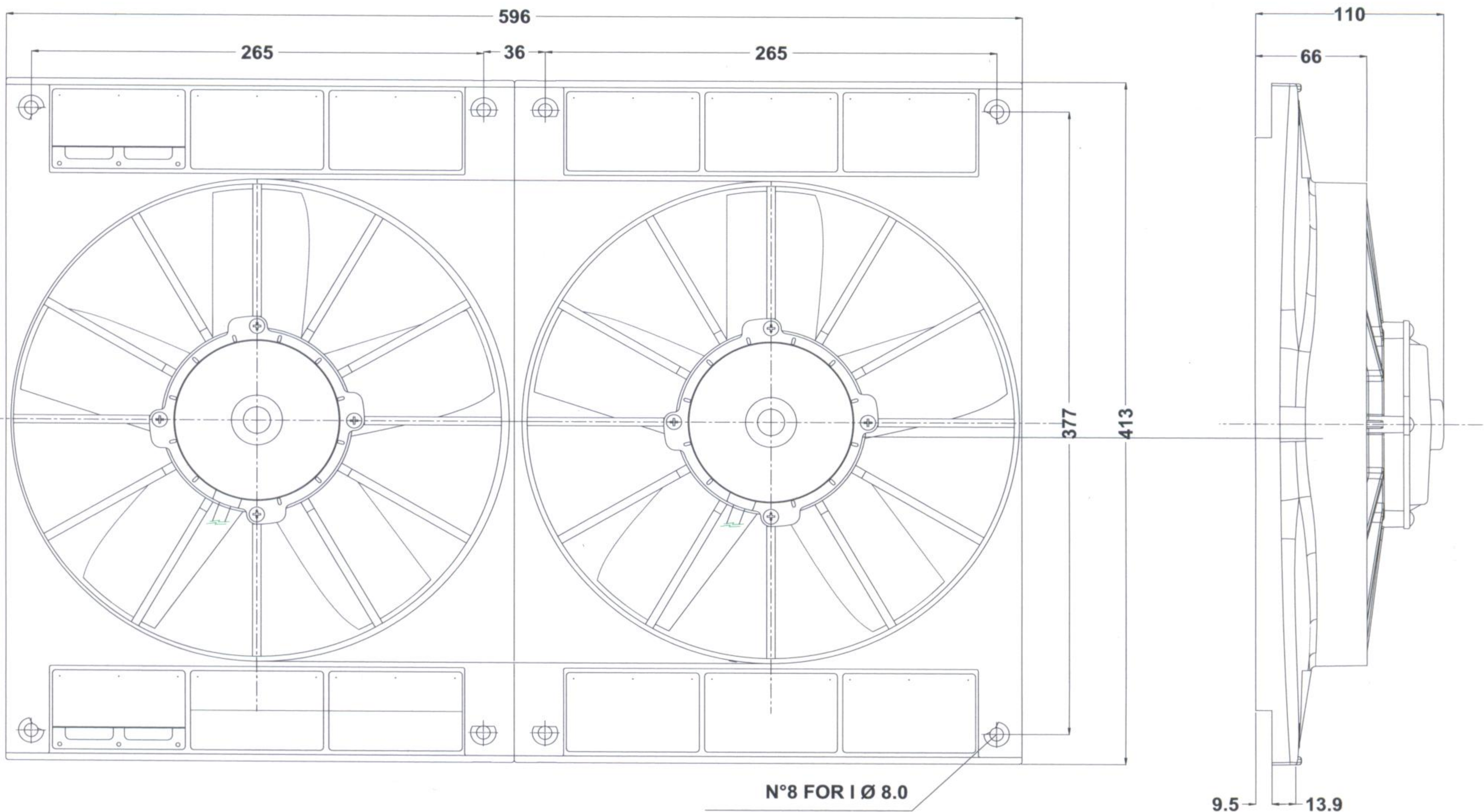
ELECTRIC COOLING FAN



JG-2011A-DR 12V

JG-2011B-DR 24V

(11" DUAL COOLING FAN)



SPECIFICATIONS

MOTOR	MAX. CURRENT	MOTOR INPUT	SPEED	WEIGHT
JGW-0005Ax2 (12V) JGW-0005Bx2 (24V)	13AMPSx2 (12V) 6.0AMPSx2 (24V)	156WATTSx2 (12V) 144WATTSx2 (24V)	2900 RPM	4500 GMS
LIFE	RATING	SHROUD	ROTOR	AIRFLOW
>5000 HRS @80°C	CONTINUOUS	GLASS FIBER POLYPROPYLENE	REVERSIBLE GLASS FIBER NYLON	1176LITRES/SEC (2490 CFM)@ 0 PASCALS FAN INLET PRESSURE