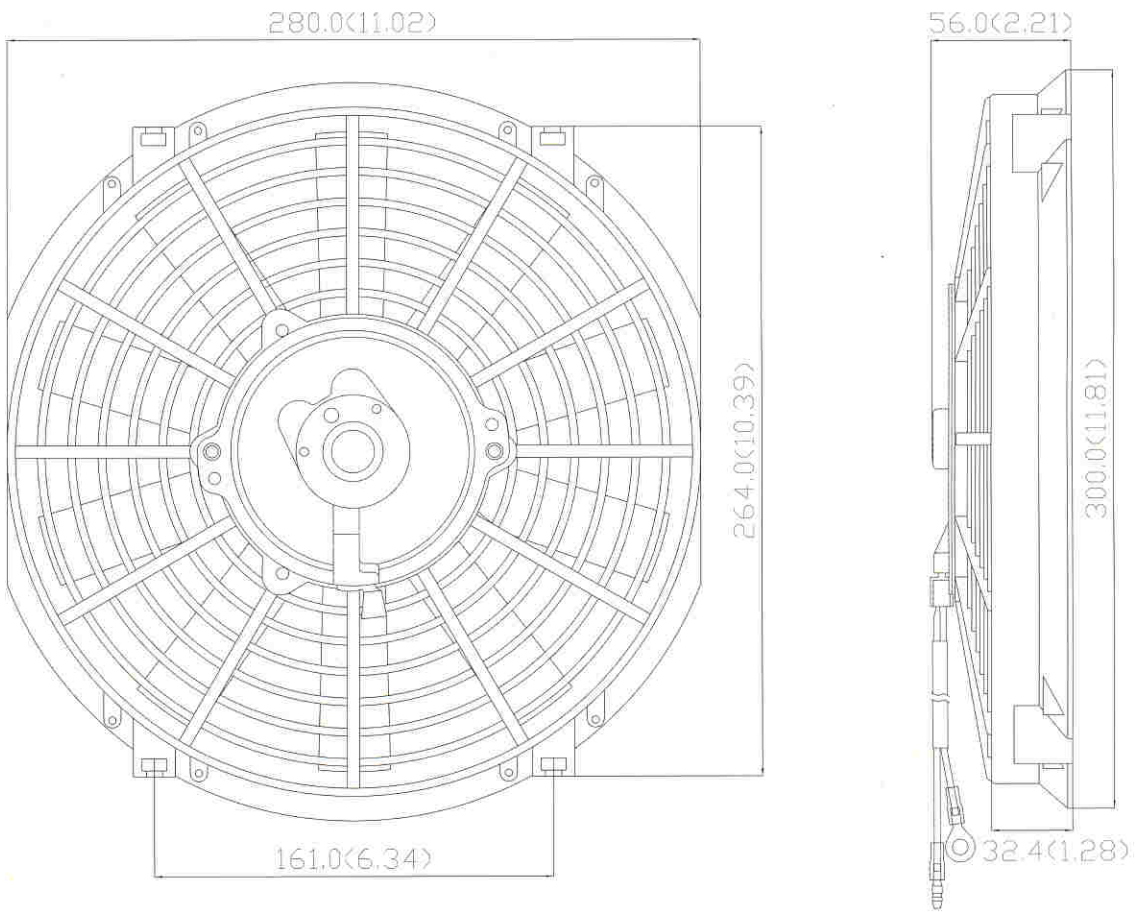




ELECTRIC COOLING FAN

JG-1011A 12V
JG-1011B 24V
 (11" COOLING FAN)



SPECIFICATIONS

MOTOR	MAX. CURRENT	MOTOR INPUT	SPEED	WEIGHT
JG-0001A (12V)	6.0 AMPS (12V)	72 WATTS	2400 RPM	1250 GMS
JG-0001B (24V)	3.0 AMPS (24V)			
LIFE	RATING	SHROUD	ROTOR	AIRFLOW
1500 HRS @80°C	CONTINUOUS	GLASSFILLED POLYPROPYLENE	REVERSIBLE GLASS FILLED NYLON	300 LITRES/SEC (700 CFM)@ 0 PASCALS FAN INLET PRESSURE