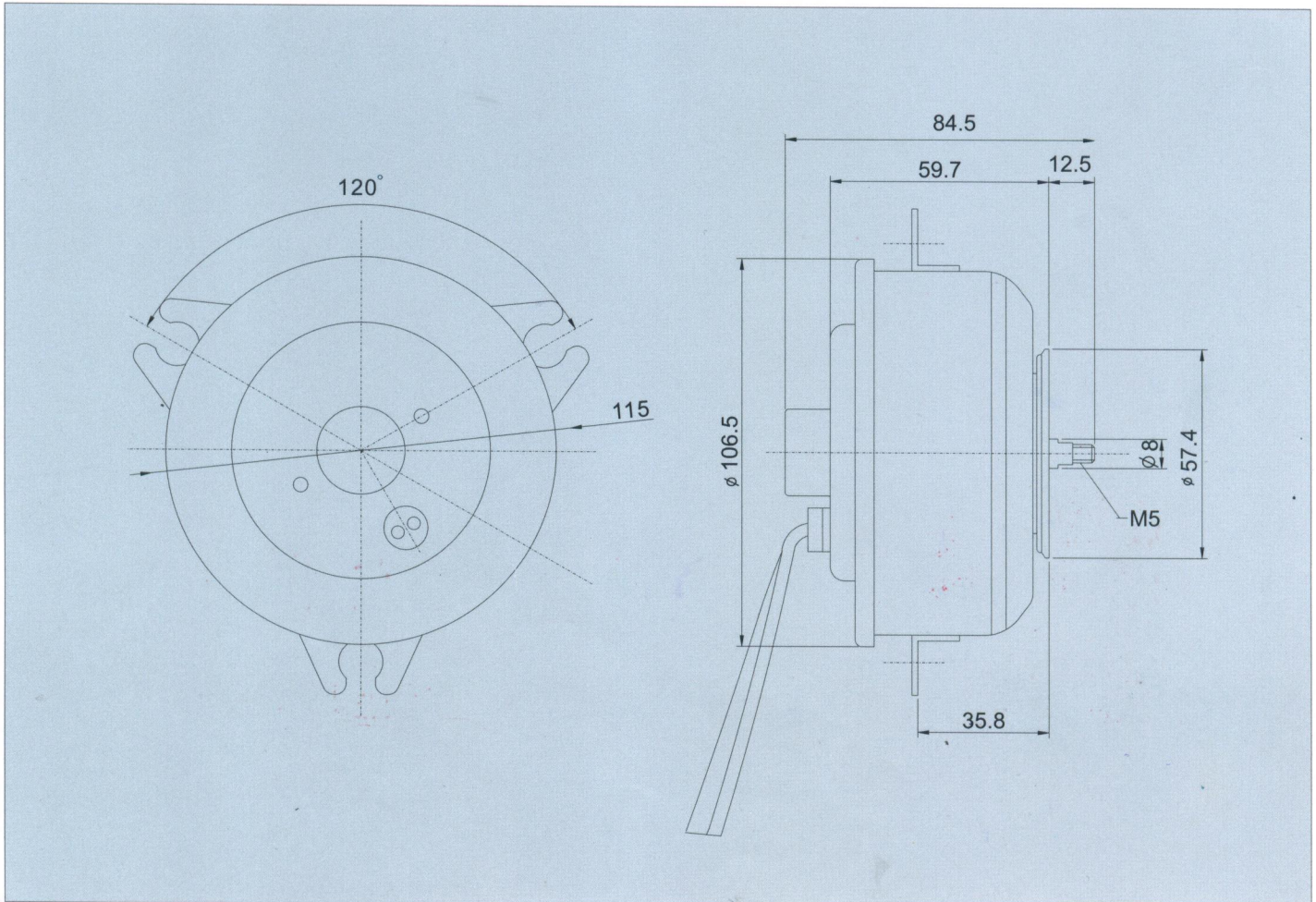
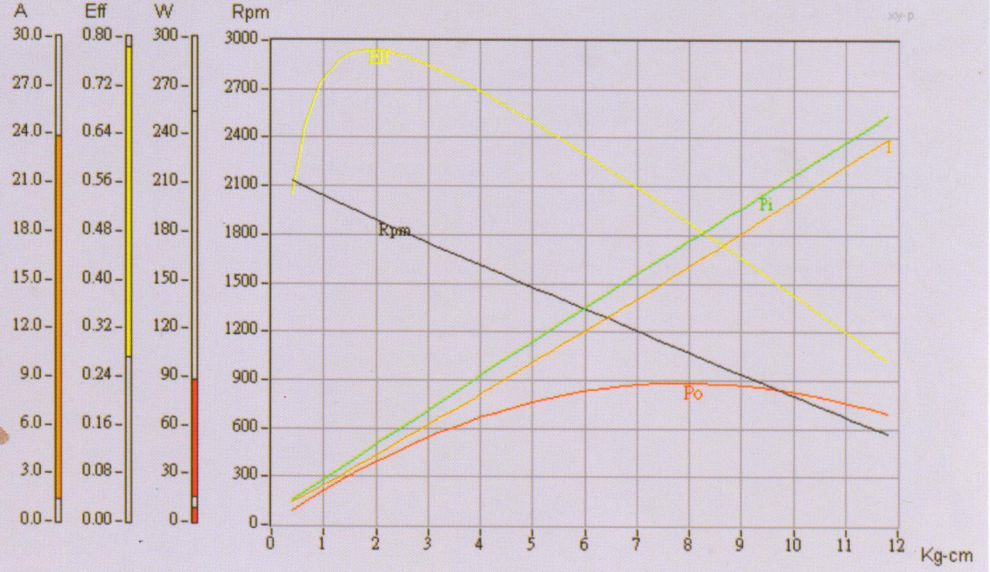


JGR-0003A 12V
JGR-0003B 24V



- Characteristics chart for 24V motor is available on request.
- Custom shaft is available

