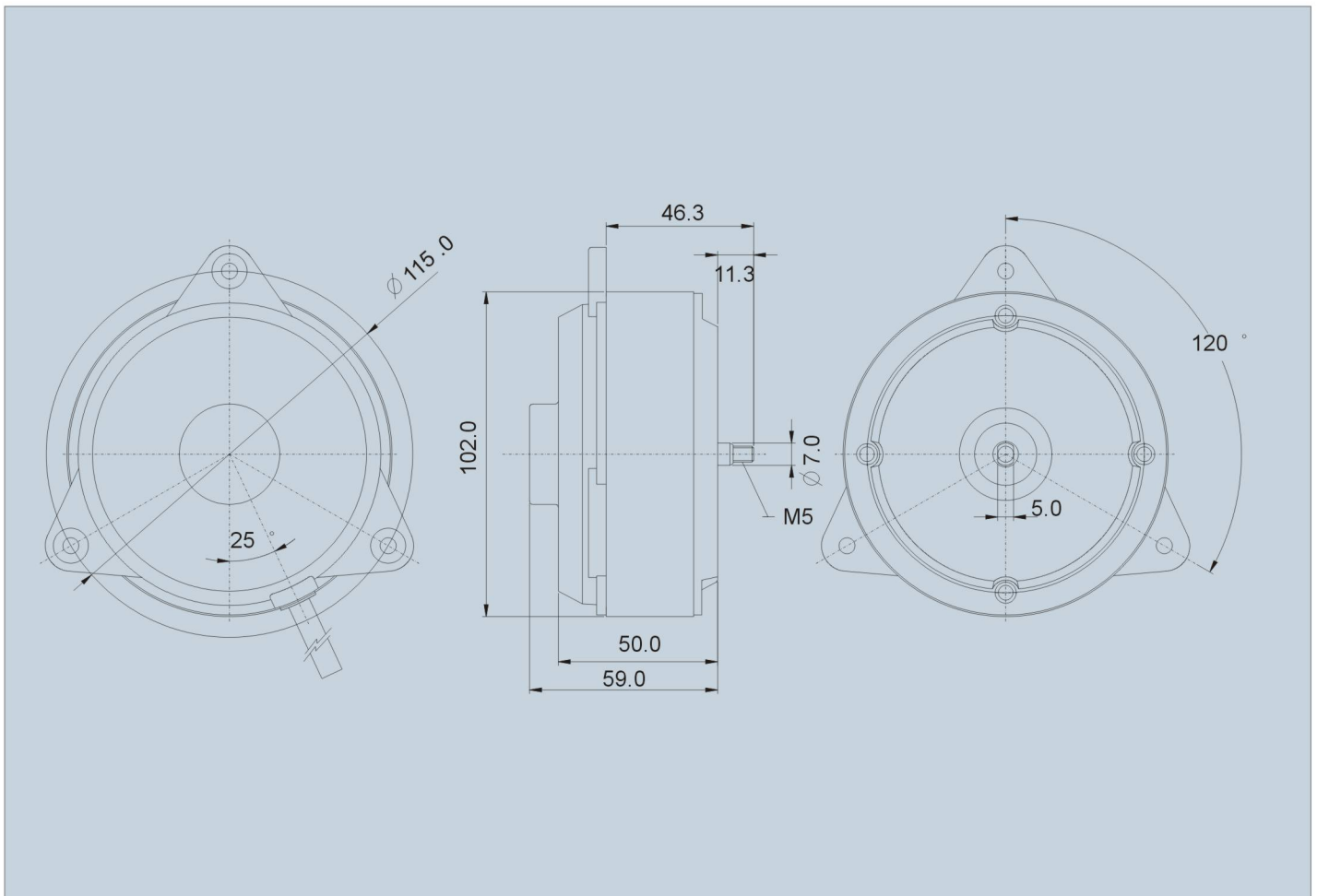
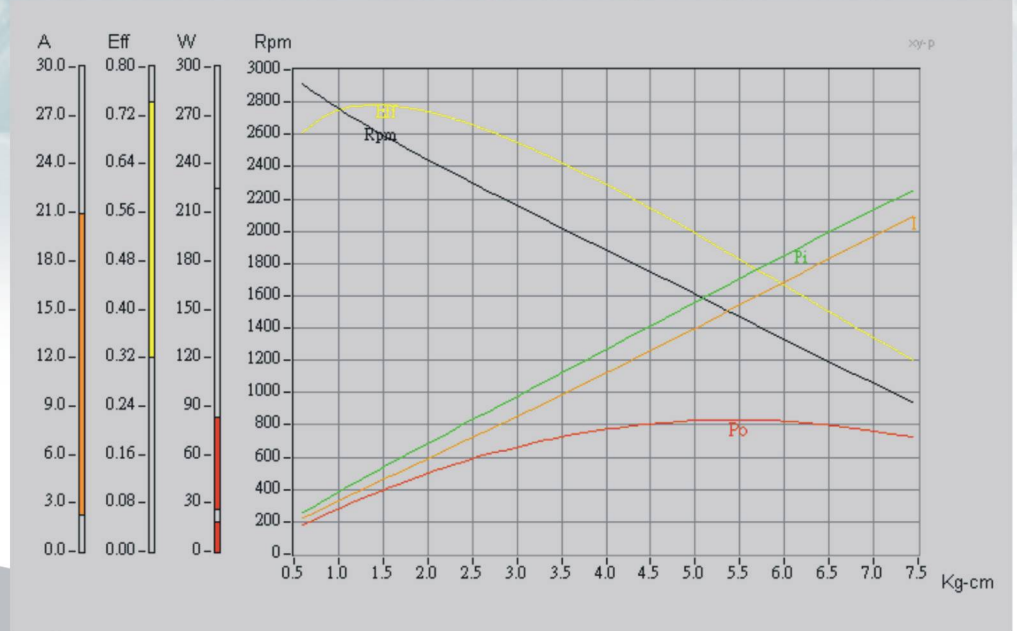


JGW-0002A 12V
JGW-0002B 24V



- Characteristics chart for 24V motor is available on request.
- Custom shaft is available