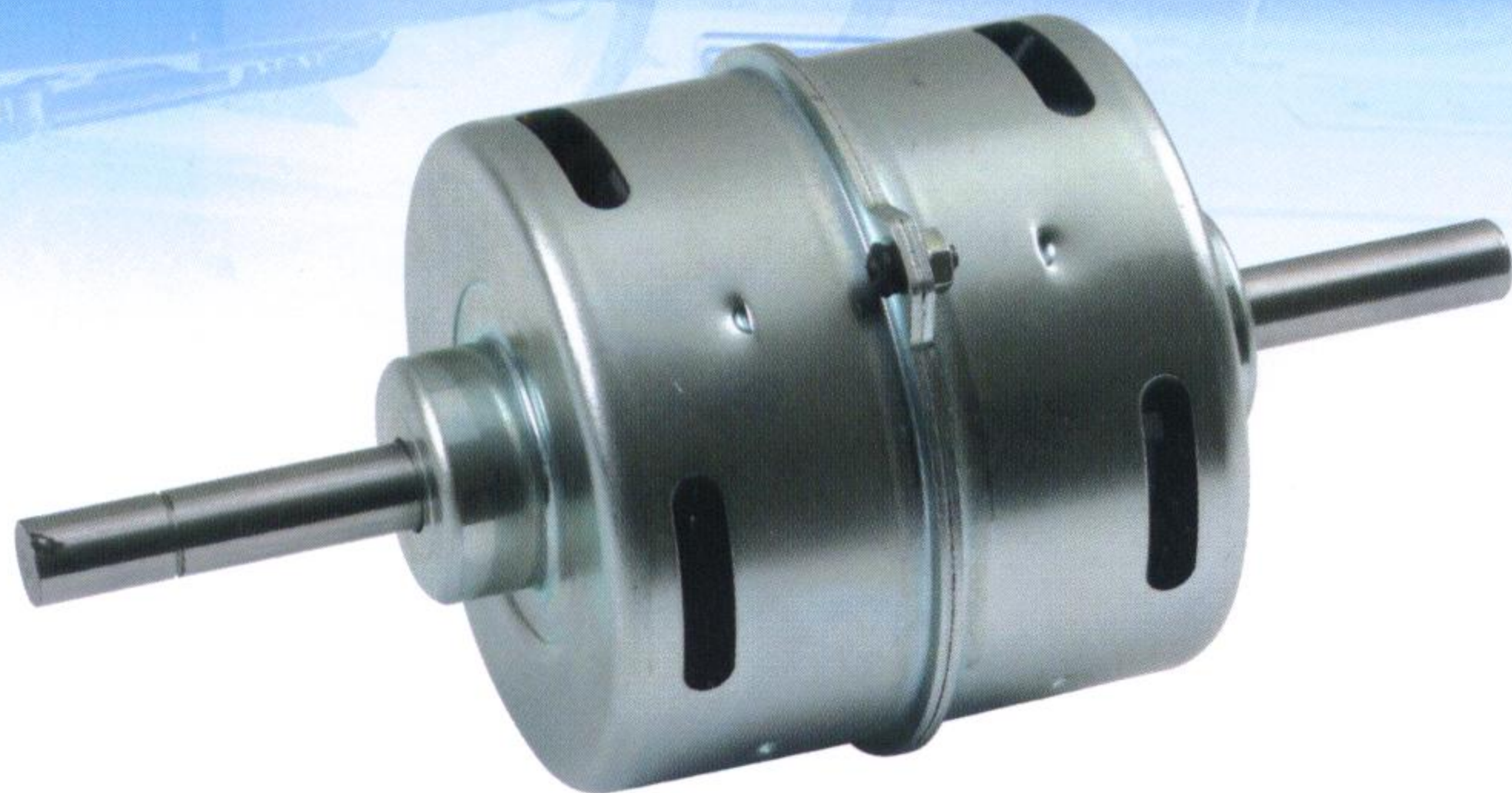
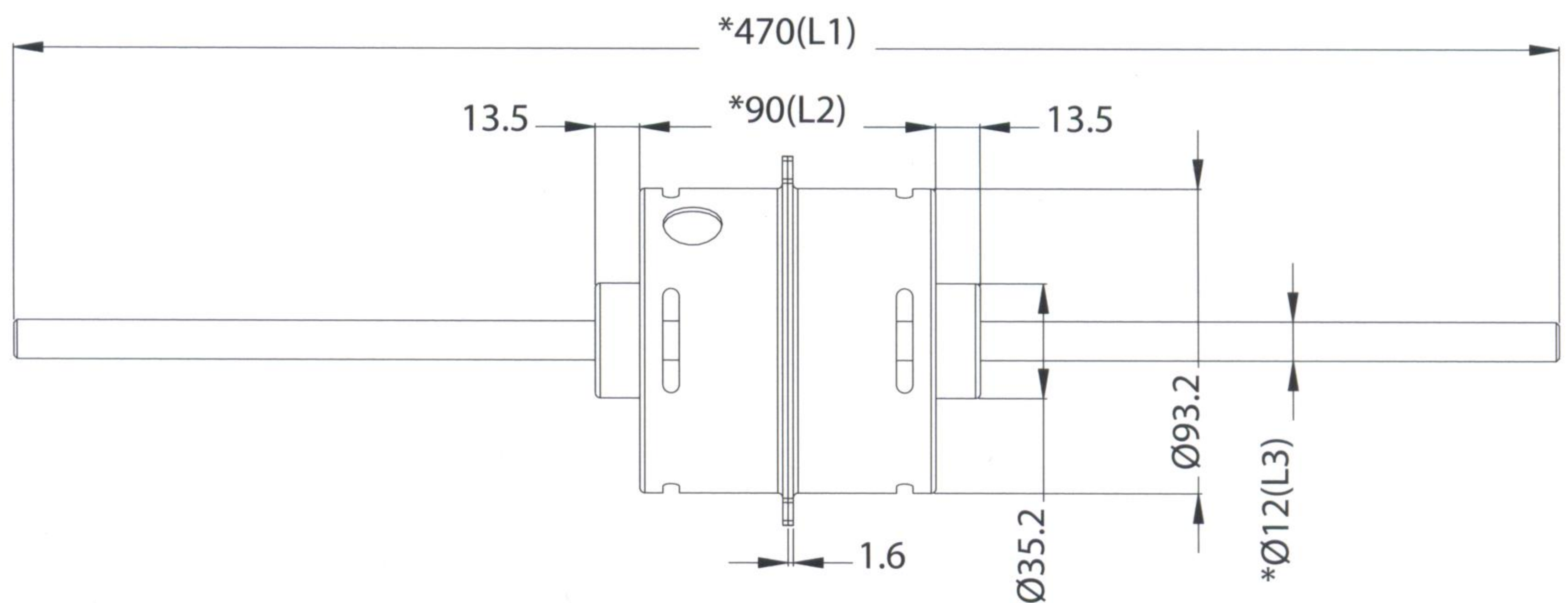
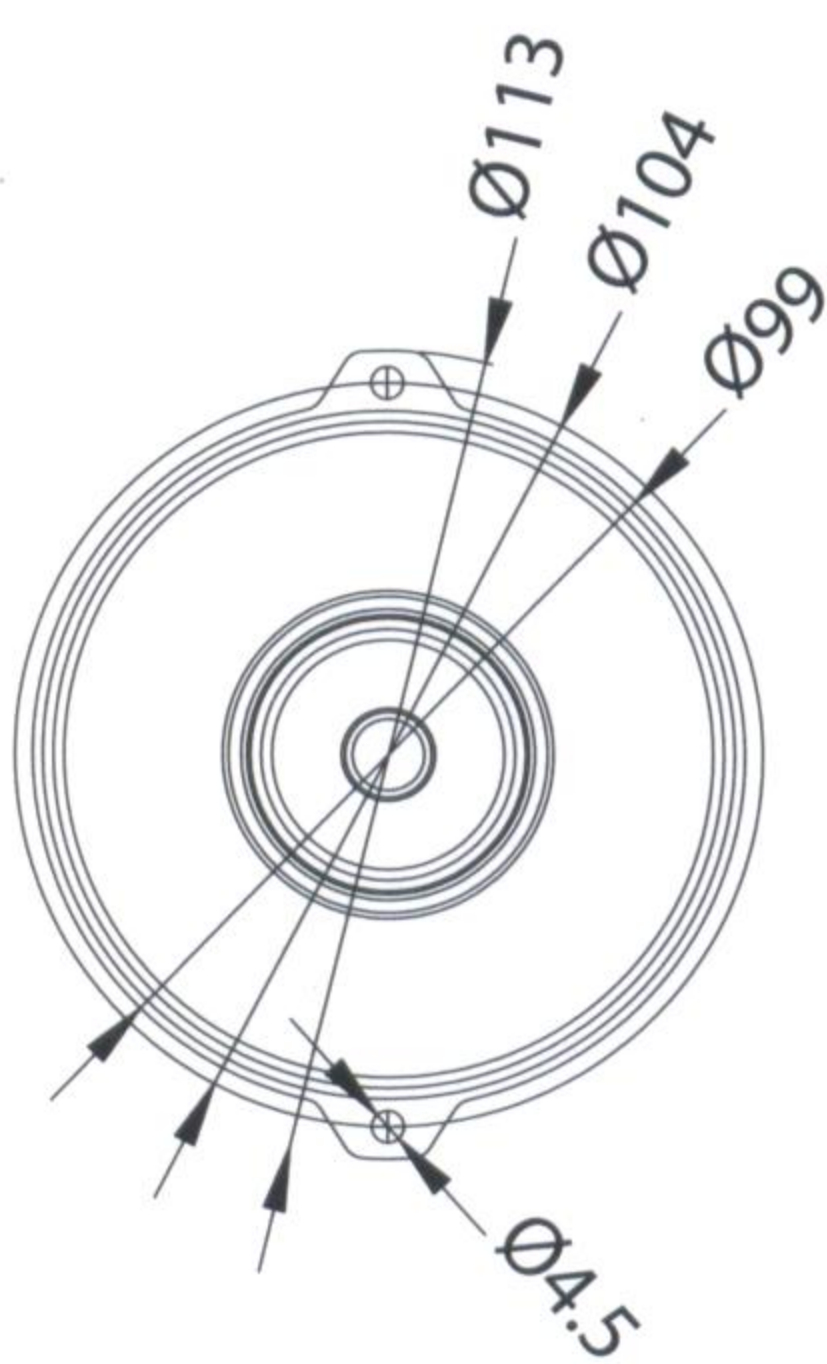


BRUSHLESS MOTORS



JGB03



Remark :
Dimension L1, L2 , L3 is flexible.

SPECIFICATIONS

VOLTAGE	RATING CURRENT	RATING TORQUE	RATING SPEED
220 V	0.93 A	7.8 KG-CM	1150 RPM

FEATURE

1. Voltage : All for AC/DC
2. Current, Torque and Speed depends on customer requirement.
3. Control mode : Speed control, torque control,etc.
4. Control interface : SPI, UART, PWM,etc.